

Step #1

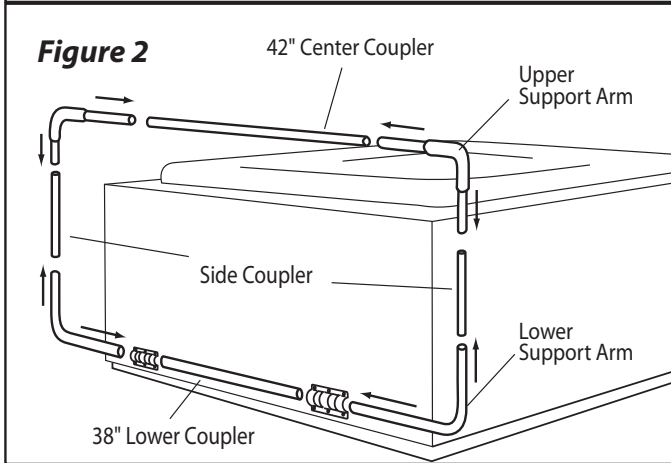
Position the spa cover (in closed position) on the spa, making sure that all four corners are properly positioned and square on the spa.

Step #2

Using the #10 x 1" mounting screws, attach the Mounting Brackets to the back side of the spa. **Note: Space the Mounting Brackets as far apart as possible with a minimum of 38" in between brackets (See Fig. 1).** **Caution: to prevent splitting of wood cabinet, pre-drill holes with a 1/16" drill bit.**

Step #3

Insert the long end of the Lower Support Arms into the Mounting Brackets to the back side of the spa (See Fig. 2). Next, insert the Upper Support Arms into the 42" Center Coupler Piece. Then join the Upper Support Arm sections to the Lower Support Arm sections, sliding the short portion of the Support Arms into the Side Coupler Piece. When joining the Upper Support Arms to the Lower Support Arms, slip the black Nylon Strap over the 38" Side Coupler Pieces. **Note: Place a #10 self-tapping screw into the Lower Support Arm next to the outside edge of each Mounting Bracket. This will prevent the Covermate from sliding left or right.**

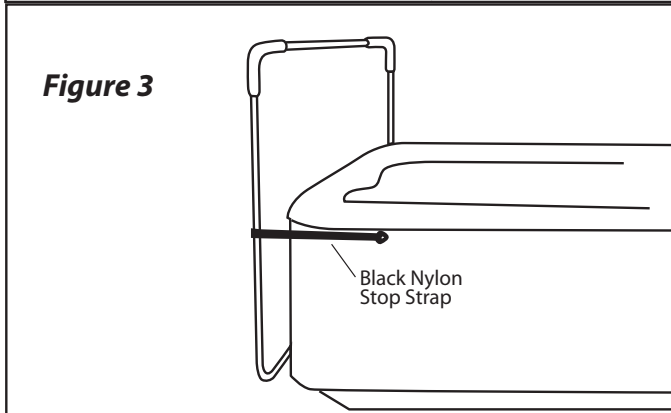


Step #4

Lay the Covermate on the spa cover. Adjust and center the 42" Center Coupler Piece and Support Arms so that the Coupler Piece is lying parallel to the spa cover's hinge about 1/2" away. Position the 38" Side Coupler Pieces in the center of the Upper and Lower Support Arms and attach with the #10 self-tapping screws. Using the #10 self-tapping screws, fasten all Support Arms and Coupler Pieces together. **Note: Be sure to rotate the 42" Center Coupler Piece so that the inserted screws are at a horizontal angle with the heads facing the back of the spa.** Repeat this procedure for the Lower Coupler Piece.

Step #5

After assembling the Covermate, motion it into the upright and vertical position. Using a #10 mounting screw, attach the black Nylon Strap to the wood skirt of the spa. Next, position the opposite end of the black Nylon Strap on the Coupler Piece so that it is in a horizontal, level position and attach using a #10 self-tapping screw (See Fig. 3)

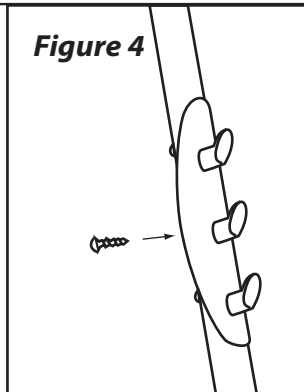


Step #6

Slip the black hand grips to the edge of the spa cover and snap the black plastic screw head covers on.

Step #7

Attach the provided 3 hook TowelMate on the preferred side of your Covermate by simply snapping it into place and inserting the middle self-tapping screw (See Fig. 4).



CAUTION! Do not use the Covermate in high wind condition. Injury from the spa cover being blown over and impacting the spa user can occur.

ITEM	PART#	DESCRIPTION	QTY
A	100001	SUPPORT ARM - UPPER	2
B	100003	CENTER COUPLER - 42"	1
C	100908	SIDE OR LOWER COUPLER - 38"	3
D	100252	SUPPORT ARM - LOWER	2
E	100263	MOUNTING BRACKET	2
F	100008	TOWELMATE	1
H	100177	NYLON STRAP	1
I	100014	#10 X 1" MOUNTING SCREW	14
K	100013	#10 X 5/8" SELF TAPPING SCREW	26
L	100016	SMALL BLACK DOME CAP	40